



Remote Meter

MT50

MT50 is an optional remote meter to monitor and program EPsolar controller,

Compatible with:

LS-B, LS-BP, VS-BN, Tracer-BN,
Tracer-A, eTracer, iTracer

Features:

- Automatic identify the controller, and display relevant parameter data
- Large-screen informative LCD displays all the operating data and system working status
- Simple and convenient operation
- Real-time alarm of failure information
- Longer communication distance based on RS485
- Diversified load control modes : Manual Control, Light ON/OFF, Light ON+ Timer, Time Control
- Battery type selection: Gel, sealed, flooded and User(programable)
- Programmable parameters
- Energy statistics display function



Surfacing mounting



Flush mounting

Display interface:





Load mode setting



Energy statistics



Parameter setting

Electrical parameter

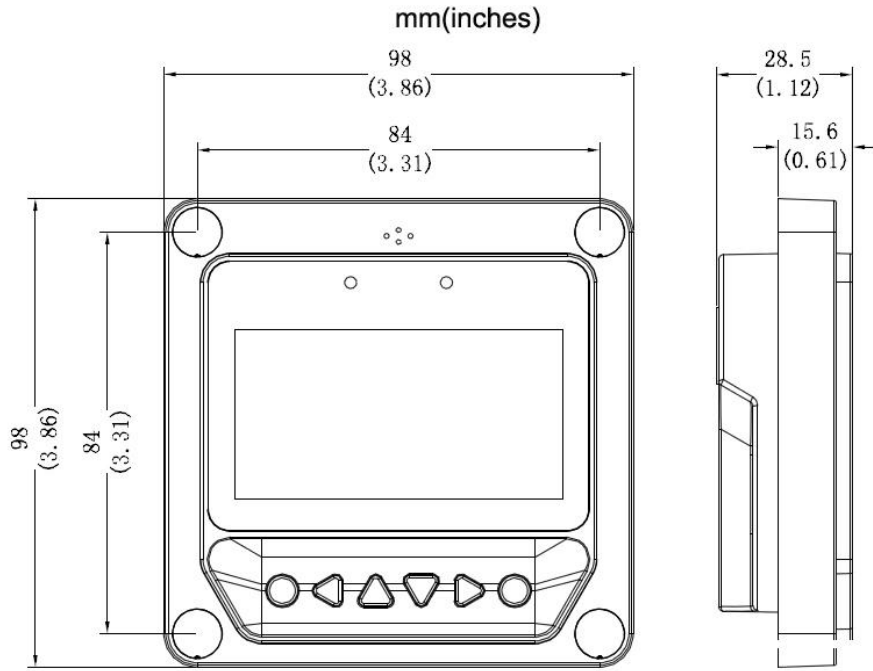
Self-consumption	Backlight and acoustic alarm on <65mA
	Backlight on <23mA
	Backlight off <15mA

Mechanical parameter

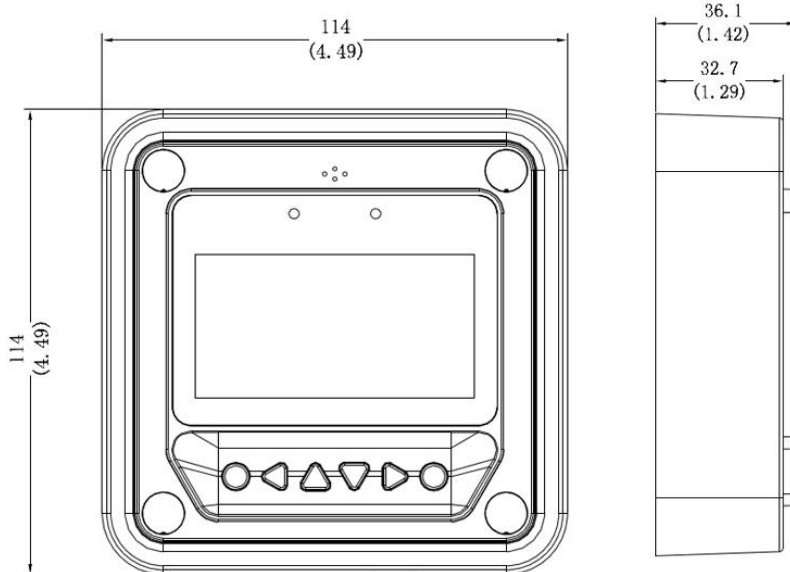
Faceplate dimensions	98×98 mm / 3.86×3.86 in
Frame dimensions	114×114 mm / 4.49×4.49 in
Connector type	RJ45
Meter cable	2m
Net weight	0.190 Kg

Environmental parameter

Working environment Temperature	-20°C~+70°C/-4°F~158°F
---------------------------------	------------------------



Meter Dimension



Frame Dimension



BEIJING EPSOLAR TECHNOLOGY CO.,LTD.
Add: BLDG #18, CO.PARK ,NO.8 HEYING
ROAD,CHANGPING DISTRICT, BEIJING, CHINA
Tel: 86-10-82894962 / 82894112
Fax: 86-10-82894882
E-mail: info@epsolarpv.com