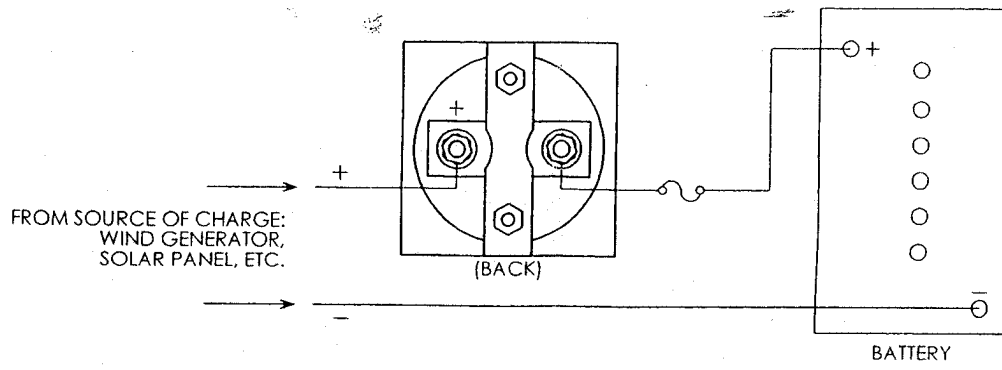
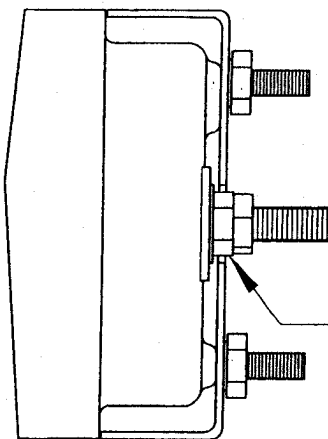
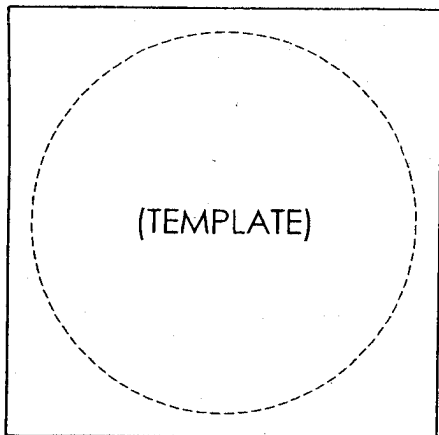
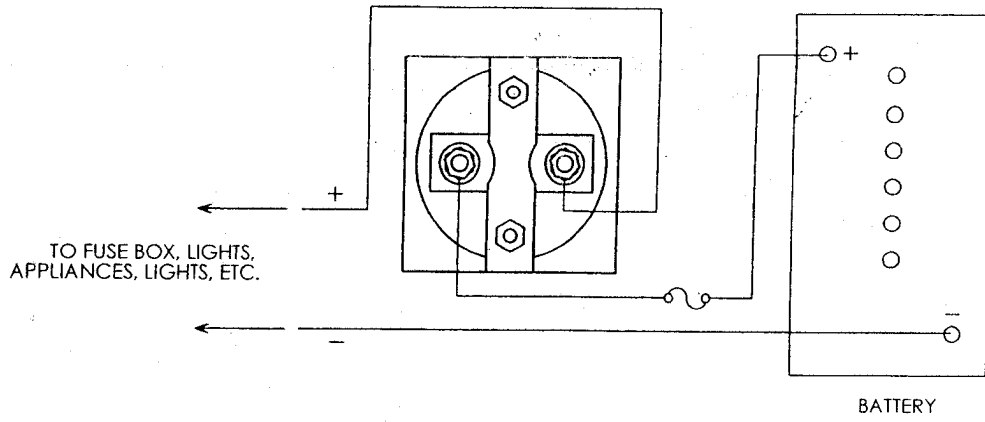


1) AMPMETER INSTALLED TO MEASURE CHARGING CURRENT.

3-CMLT-1090 REV NC



2) AMPMETER INSTALLED TO MEASURE CURRENT (AMPS) BEING USED.



WARNING:
DO NOT REMOVE INSIDE
NUTS ON TERMINAL!